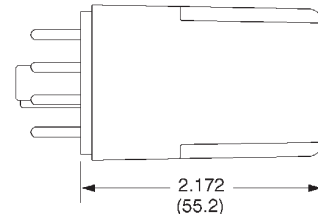
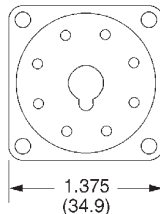
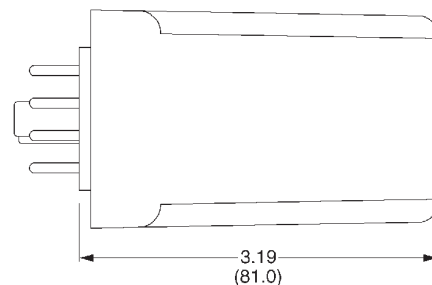
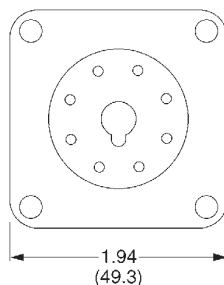


## OUTPUT DEVICES



**RP-101** 24 VDC, DPDT Relay, 8-Pin, Plug-in

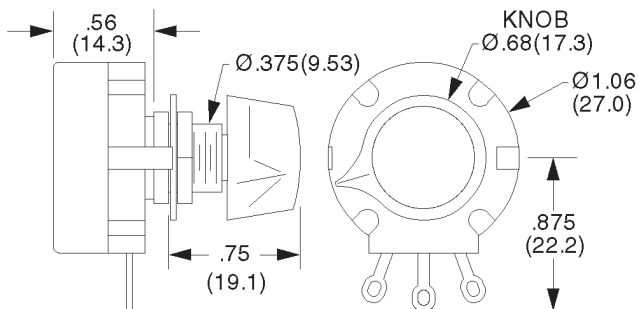
**RP-101**



**RP-103** 1.0A N.O. Solid State, 8-Pin, Plug-in  
**RP-104** 1.5A N.O. Solid State, 8-Pin, Plug-in  
**RP-105** 1.5A N.C. Solid State, 8-Pin, Plug-in  
**RP-106** 1.5A 1 N.O., 1 N.C. Solid State, 8-Pin, Plug-in

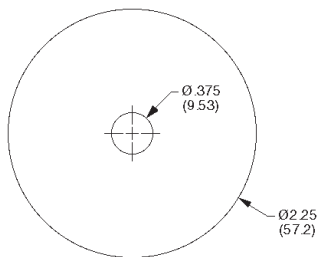
**RP-103, RP-104, RP-105 and RP-106**

## POTENTIOMETERS AND RELATED HARDWARE



**RP-201 to RP-210**

<b>RP-201</b>	10kΩ
<b>RP-202</b>	25kΩ
<b>RP-203</b>	50kΩ
<b>RP-204</b>	100kΩ
<b>RP-205</b>	250kΩ
<b>RP-206</b>	500kΩ
<b>RP-207</b>	1.0MΩ
<b>RP-208</b>	2.5MΩ
<b>RP-209</b>	5.0MΩ
<b>RP-210</b>	10MΩ



**RP-216** Reference dial for remote pots



**RP-217** Locking attachment for RP-201 to RP-210